

FIRST
IN CLEAN
AIR

SERVICE GUIDE

PURAFIL

4

DIRECT DRIVE BLOWER ASSEMBLY

INSTALLATION, OPERATION & MAINTENANCE
INSTRUCTIONS

TABLE OF CONTENTS

1.0 PRE-INSTALLATION INSTRUCTIONS

1.1 SAFETY CONSIDERATIONS

1.2 STORAGE

2.0 ELECTRICAL CONNECTIONS

3.0 METHOD OF INTERNAL CONNECTIONS

4.0 BLOWER UNIT

5.0 WARRANTY INFORMATION

6.0 TROUBLE SHOOTING

LIST OF FIGURES

FIGURE	TITLE
1	BLOWER ASSEMBLY AND PARTS LIST
2	FAN ROTATION DIRECTION

1.0 PRE-INSTALLATION INSTRUCTIONS

1.1 SAFETY CONSIDERATIONS

- Read this Service Manual carefully. Be thoroughly familiar with the controls and the proper use of the equipment.
- This manual should be retained with the unit because it contains the information necessary for proper maintenance. There is a pocket envelope provided for this purpose. Attach it permanently to the unit.
- Keep all nuts, bolts, and screws tight to be sure the equipment is in safe working condition.

CAUTION:

- Installer should be a trained, experienced service person.
- Disconnect power supply before wiring connections are made to prevent possible electrical shock or damage to equipment.
- Check the equipment weights to be sure that the rigging equipment can handle them safely.
- Be sure that the unit is balanced well in the transporting device.
- Never pressurize the equipment in excess of specified test pressure.
- Always conduct a thorough check when the installation is complete.
- Never enter an enclosed blower cabinet or reach into a unit while fan is running.
- The motors in PURAFIL® equipment get very hot. This is normal and should not be regarded as a problem with the motor. However, take special care to avoid touching the hot areas.

1.2 STORAGE

If the motor starter or VFD is purchased with the unit (optional) and it is to be stored with the unit, be sure to read instructions enclosed in the starter kit to prevent problems due to storage.

2.0 ELECTRICAL CONNECTIONS

To allow maximum flexibility in installation of the unit, no internal electrical connections or external electrical openings have been made. A qualified electrician should connect wiring from the motor to the starter and to the supply panel. All wiring and controls should comply with current NEC and local codes.

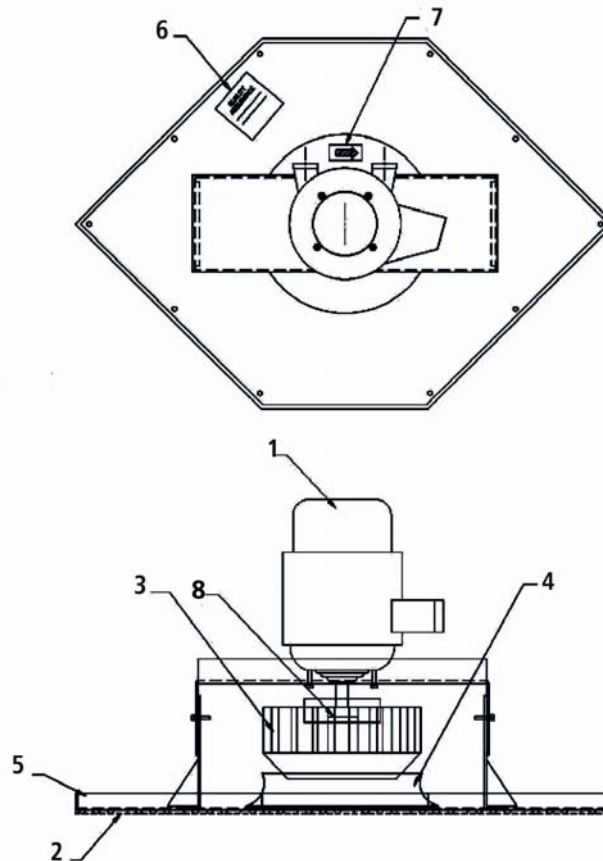
The standard unit does not have motor starter or VFD controls. Should the starter be purchased separately, the motor starter should be sized to provide proper overload protection.

3.0 METHOD OF INTERNAL CONNECTIONS

The motor should be wired to the power supply according to the motor manufacturers instructions. The instructions are included on the side of the motor or inside the motor's conduit box.

4.0 BLOWER UNIT

FIGURE 1: BLOWER ASSEMBLY AND PARTS LIST



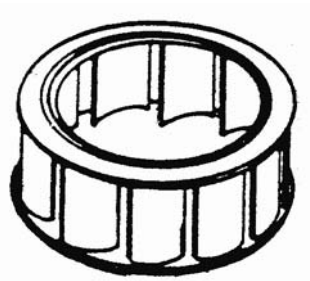
ITEM	DESCRIPTION	QUANTITY
1	Motor	1
2	Gasket, Neoprene	8 ft
3	Wheel, Blower	1
4	Cone, Blower	1
5	Weldment, Blower	1
6	Label, Quality Assurance	1
7	Label, Rotation Arrow	1
8	Bushing, Split - Taperlock	1

PARTS LIST

Description	Quantity
Weldment Blower	1
Label, Rotation Arrow	1
Wheel, GRP	1
Cone, GRP	1
Pop Rivets	6
Junction Box	1
Motor	1
Bolt, 5/16 x 1, Motor	4
Nut, Motor 5/16	4
Washer, Flat, Motor, 5/16	4
Bolt, 3/8 x 1-1/4	8
Washer, 3/8	8
Nut, 3/8	8

FIGURE 2: FAN ROTATION DIRECTION

Fan rotation should be clockwise from motor side of wheel. If fan rotation is incorrect, check motor wiring.



Direction of Fan Rotation: Counter Clockwise

5.0 WARRANTY INFORMATION

PURAFIL® warrants hardware equipment manufactured by PURAFIL® to be free from defects in material and workmanship under normal use and service for twelve (12) months from startup date or eighteen (18) months from shipment date. PURAFIL'S obligation under this warranty shall be limited to replacing any parts thereof which shall be demonstrated to have been defective. THIS WARRANTY IS EXPRESSLY IN LIEU OF ALL OTHER WARRANTIES, EXPRESS OR IMPLIED, INCLUDING THE WARRANTIES OF MERCHANTABILITY AND FITNESS.

PURAFIL MAKES NO WARRANTIES AS TO MERCHANTABILITY OR AS TO THE FITNESS OF THE MERCHANDISE FOR ANY PARTICULAR USE AND SHALL NOT BE LIABLE FOR ANY LOSS OR DAMAGE, DIRECTLY OR INDIRECTLY, ARISING FROM THE USE OF SUCH MERCHANDISE OR FOR CONSEQUENTIAL DAMAGES. No person, firm or corporation is authorized to assume for PURAFIL® any other liability in connection with the sale of these goods. Equipment, parts and material manufactured by others and incorporated in PURAFIL® equipment are warranted by PURAFIL® ONLY TO THE EXTENT OF THE ORIGINAL MANUFACTURERS LIABILITY TO PURAFIL.

6.0 TROUBLE SHOOTING

SYMPTOM	PROBLEM	CHECKS/REMEDY
Rubbing sound coming from blower section	Wheel rubbing cone	Check wheel and cone clearance. Retighten weld nut screws. Check security of weld nut.
Motor seems to be running too slowly.	Electrical connections may be incorrect.	Have an electrician compare the connections with the manufacturer's instructions.
Motor seems to be too hot	same as above	same as above

Note: In the event of any abnormal condition, immediately check the electrical wiring and motor rotation direction.